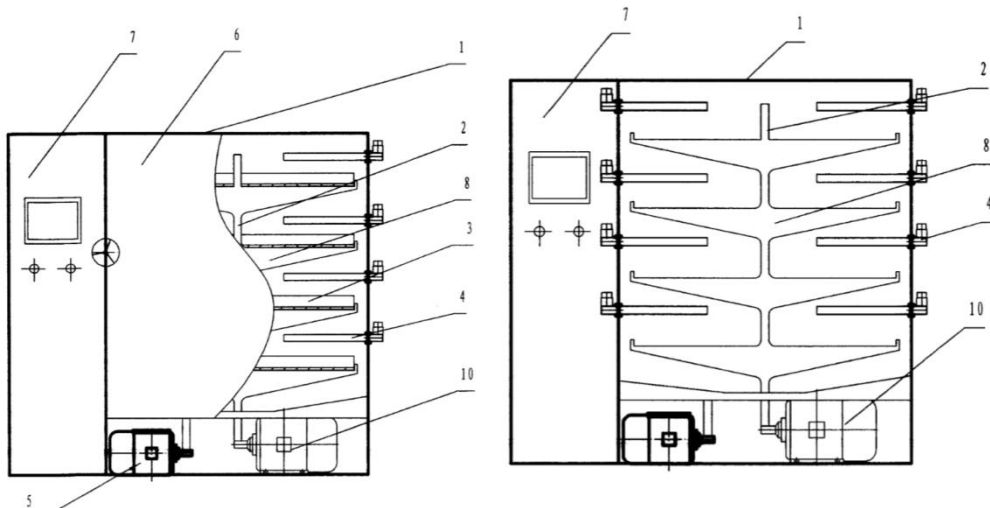


## Rotary vacuum microwave drying and sterilization equipment LD1909

The material of LD1909 rotary vacuum microwave drying and sterilization equipment achieves the purpose of rapid and uniform drying in the microwave low temperature environment during the rotation process. Because the tray adopts the disc type aliquot design, it solves the problem of the discharge and collection of liquid materials, and expands the application range of the equipment. Since the microwave heating device transmits the waveguide of the microwave to the top of each layer of the tray, the direct irradiation material is arranged in various forms and various ways, thereby solving the problem of uniform drying of the liquid, powder, graininess.

### **Features of LD1909 rotary vacuum microwave drying and sterilization equipment:**

1. The tray holder is at least two layers and is fixed integrally with the rotating shaft. The tray is placed in a ring shape at least in two parts on the tray holder.
2. The microwave heating device is arranged on the box according to the material characteristics and the particularity of the microwave, and the waveguide for transmitting the microwave extends to the top of each layer tray in the box body, and the material can be directly irradiated.
3. The bottom of the tray holder is designed as an inverted cone, so that the condensed water flows along the inverted cone tray holder to the rotating shaft, and then flows through the flow channel on the shaft or the orifice on the tray holder to the bottom of the box. To prevent condensation of water droplets on the underlying dried material.
4. The microwave heating device transmits the microwave waveguide is a bell mouth, or is designed as a long lower feed port, or designed as a cross-shaped lower feed port, or designed as a dovetail-shaped lower feed port to solve the uniformity of material microwave drying problem.
5. The bottom of the box is designed as a trough to prevent steam water, condensate and material from flowing to the dead corner.



Structure sketch 1 of LD1603 vegetable dehydration equipment

1 a box, 2 - shaft; 3 – tray, 4 a microwave heating device, 5 - vacuum device, 6 - box door, 7 - control panel, 8 - tray bracket, 9 - umbrella cover, 10 - motor .

**Technical parameters of LD1921 LD1909 rotary vacuum microwave drying and sterilization equipment:**

Daily capacity	8T-10T	Leakage value	$\leq 3\text{mw/m}^3$
Total power	30KW/h	Microwave frequency	2450/915MHz
Heating method	Electric	Cooling method	water cooling
Sterilization ability	300-400kg/h	Working method	Completely continuous

Leader Microwave Equipment Company has advanced production equipment, professional manufacturing level and comprehensive technical management team, which has attracted many customers from home and abroad to visit and cooperate. Welcome to contact us.