

microwave sterilization equipment LD1921

LD1921 microwave powder sterilization equipment is an industrial tunnel type microwave sterilizer for solid powder materials, which can be used for sterilizing solid materials such as powder, particle, block and ball, etc. It is suitable for sterilizing solid materials in food, medical treatment, chemical industry, agriculture and other industries.

LD1921 microwave powder sterilization equipment is a kind of industrial tunnel crawler sterilization equipment with simple structure, reliable operation, low energy consumption, high sterilization quality, and basically no impact on material properties and active ingredient content.

LD1921 microwave powder sterilization equipment's advantages:

1 . LD1921 microwave powder sterilization equipment sterilizes through the thermal effect of microwave on polar molecules and the principle of non-thermal effect, using the control of water to achieve the ideal sterilization effect, sterilization process with conveyor conveyor, there is no extrusion, etc.

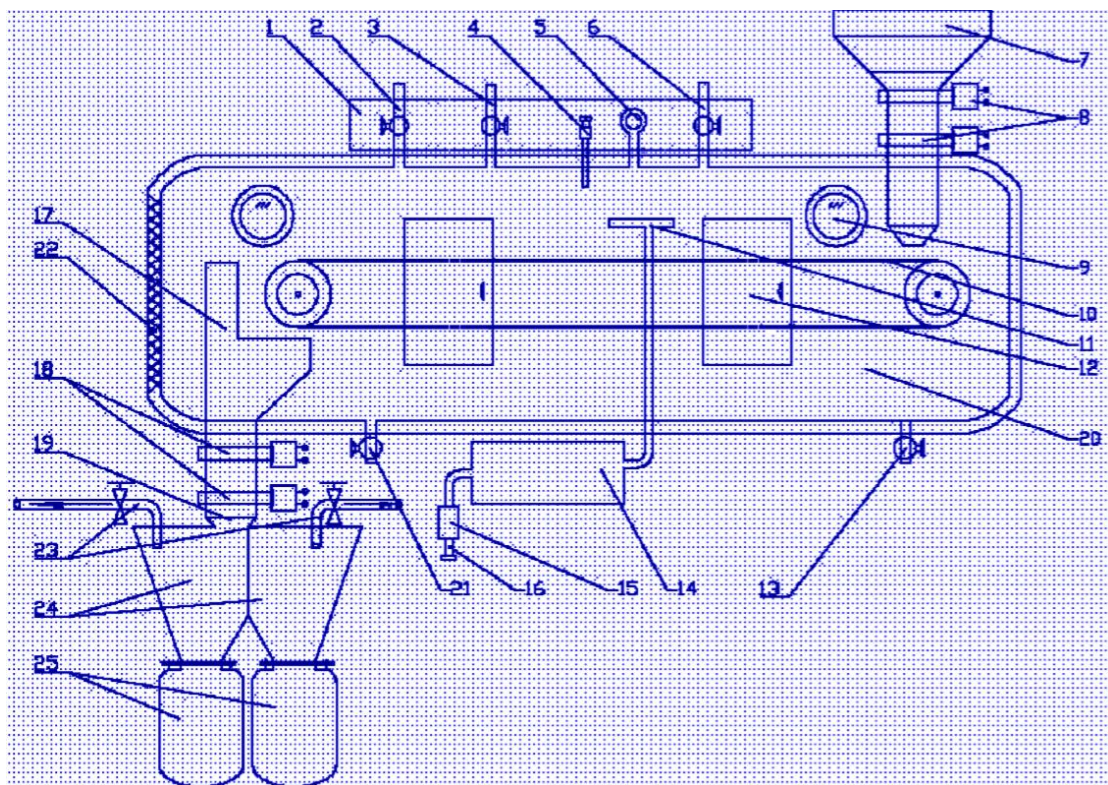
2 . LD1921 microwave powder sterilization equipment has the characteristics of short sterilization time, good effect, no impact on the material properties and the content of active ingredients.

3 . LD1921 microwave powder sterilization equipment sterilization degree of controllable, it has high degree of automation, can be used for industrial production sterilization operation.

4 . LD1921 microwave powder sterilization equipment has low energy consumption, low pollution, simple structure, easy to disassemble, clean and maintain, which can improve sterilization efficiency, improve equipment operation efficiency and reduce production cost.

Technical parameters of LD1921 microwave powder sterilization equipment :

daily capacity	8T-10T	Leakage value	$\leq 3\text{mw/m}^3$
total power	30KW/h	microwave frequency	2450/915MHz
transmission speed	0-5m/min(adjustable)	cooling method	By water
bactericidal ability	300-400kg/h	operating methods	Completely continuous
Size	10500x840x1800mm	Heating method	By electricity



Configuration of LD1921 microwave sterilization equipment

1-microwave generator, 2-escape pipe, 3-constant pressure valve , 4-thermocouple, 5-temperature controlled meter, 6-safety valve, 7-feed hopper, 8-sealed feeding device, 9-sight glasses, 10-conveyor belt, 11-atomizer, 12-cleaning bin door, 13- sewage pipe, 14-heating box, 15-flow meter, 16-inlet pipe, 17-hopper, 18-sealed discharge device, 19-outlet, 20-tank, 21-intake pipe, 22-insulation layer, 23- vacuum exhaust pipe, 24-cooling room, 25-storage bucket

Leader Microwave Equipment Company sincerely provides customers with perfect before and after-sales service, is the best embodiment of our "customer first" principle. Of course, producing high-quality equipment is a basic requirement for a equipment provider. We are always committed to these two points. Therefore, we have won the trust and friendship of many customers at home and abroad, and we have established long-term and friendly cooperative relations with many old and new customers. Welcome to join them and we will live up to our expectations.