

## microwave liquid sterilizer LD1920

LD1920 microwave liquid sterilizer is mainly used for Chinese and Western medicine, milk, fruit and vegetable beverages, flower drinks, tea drinks, protein drinks, health drinks, health wine, rice wine, wine, balsamic vinegar, soy sauce, bad hail, soy milk, nutrient solution, sauce. Liquor ripening, chemical synthesis, syrup and other liquid pharmaceuticals, as well as sterilization and preservation of health teas, juice drinks, etc., some water agents, injections, etc. in the pharmaceutical industry. It can be used for the ripening of white wine, vinegar, etc.

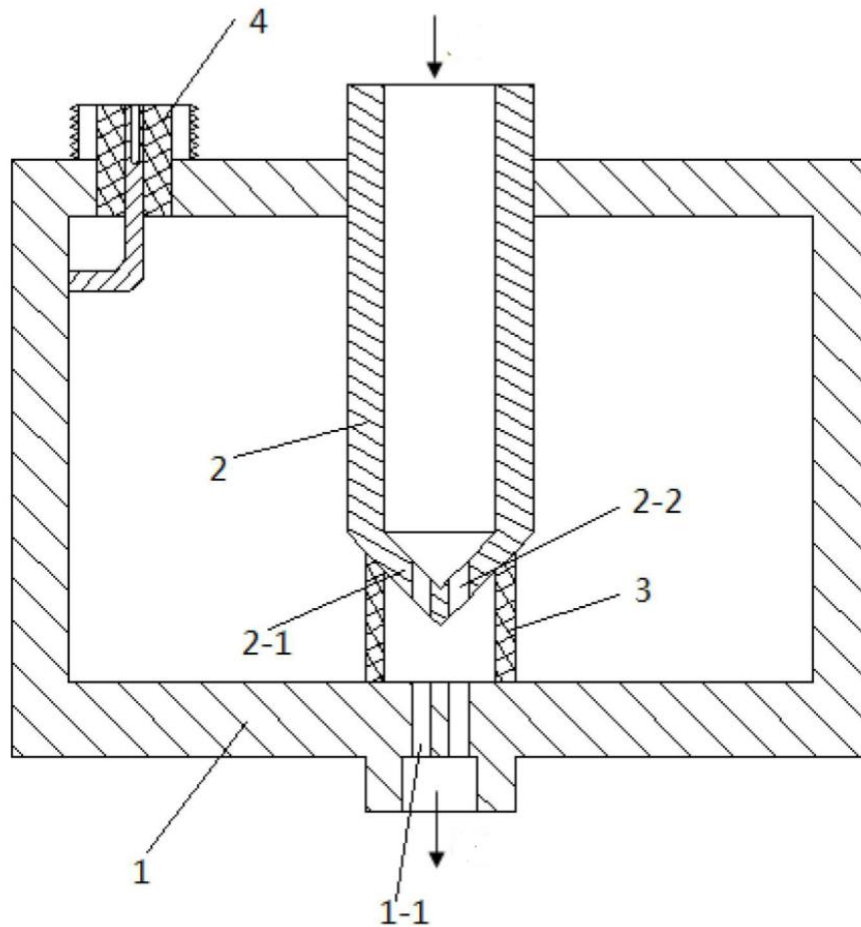
The material and microwave process is fully enclosed. The LD1920 microwave liquid sterilizer has the advantages of fast sterilization speed, high efficiency, low temperature, obvious aging effect, easy operation, easy control and no contact pollution. The material and microwave process is fully enclosed.

### **Structural features of LD1920 microwave liquid sterilizer:**

1. Liquid microwave sterilizer adopts the latest and most advanced multi-port feed energy of contemporary microwave, and the original Japanese magnetron ensures the microwave output power is adjustable. The magnetron has high power, high efficiency, strong load-carrying capacity, long service life and air cooling.
2. The heater is a box type, the main components are made of stainless steel, the whole machine design. The manufacturing process and appearance fully meet the GMP standards for pharmaceutical equipment.
3. The whole machine adopts modular design, which is convenient for cleaning, assembly and disassembly, and maintenance.
4. LD1920 microwave liquid sterilizer adopts modern high-tech anti-microwave leakage turbulence device, and has automatic door-opening protection device to make the overall appearance of the device compact, beautiful, smooth, safe and small.

### **Technical parameters of LD1920 microwave sterilizer:**

Daily capacity	8T-10T	Leakage value	$\leq 3\text{mw/m}^3$
Total power	30KW/h	Microwave frequency	2450/915MHz
Transmission speed	0-5m/min(adjustable)	Cooling method	By water
Bactericidal ability	300-400kg/h	Operating methods	Completely continuous
Size	10500x840x1800mm	Heating method	By electricity



1. Resonator housing, 1-1. Liquid material outlet, 2. Inlet chamber (inner conductor), 2-1. Conical head, 2-3. Outlet, 3. Catheter, 4. Coupler.

Our company consistently produces high quality equipment and has excellent marketing and import and export capabilities. We have established friendly and cooperative relationships with many domestic and foreign customers. In addition, based on strong technical strength, we are guided by market demand and design the most economical and reasonable production solutions about LD1920 microwave liquid sterilizer and LD1908 medicinal microwave sterilization equipment .

All equipment of the company has passed ISO9001:2008 international quality management system to ensure the quality and performance of our products. Please contact us or visit our factory to inspect the test machine.